



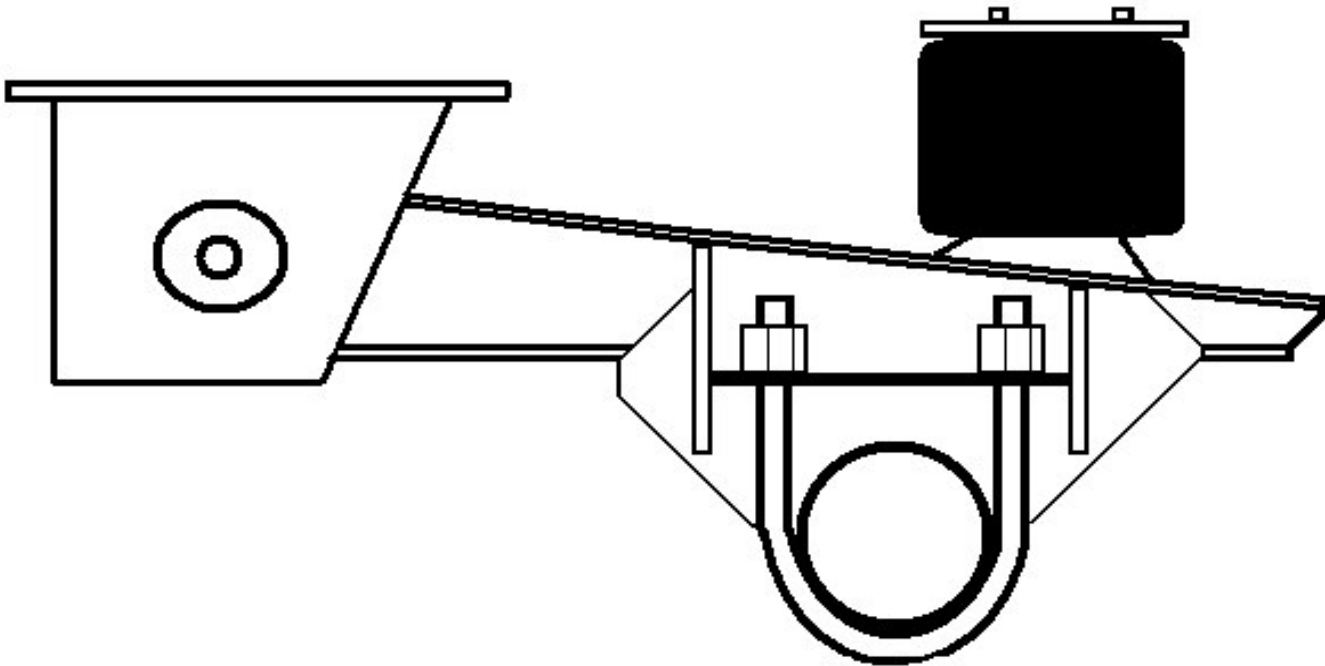
East Manufacturing Corporation

1871 State Route 44 * P O Box 277

Randolph, Ohio 44265

Toll Free (800) 362-0851

Fax (330) 325-8235



SUSPENSION CATALOG

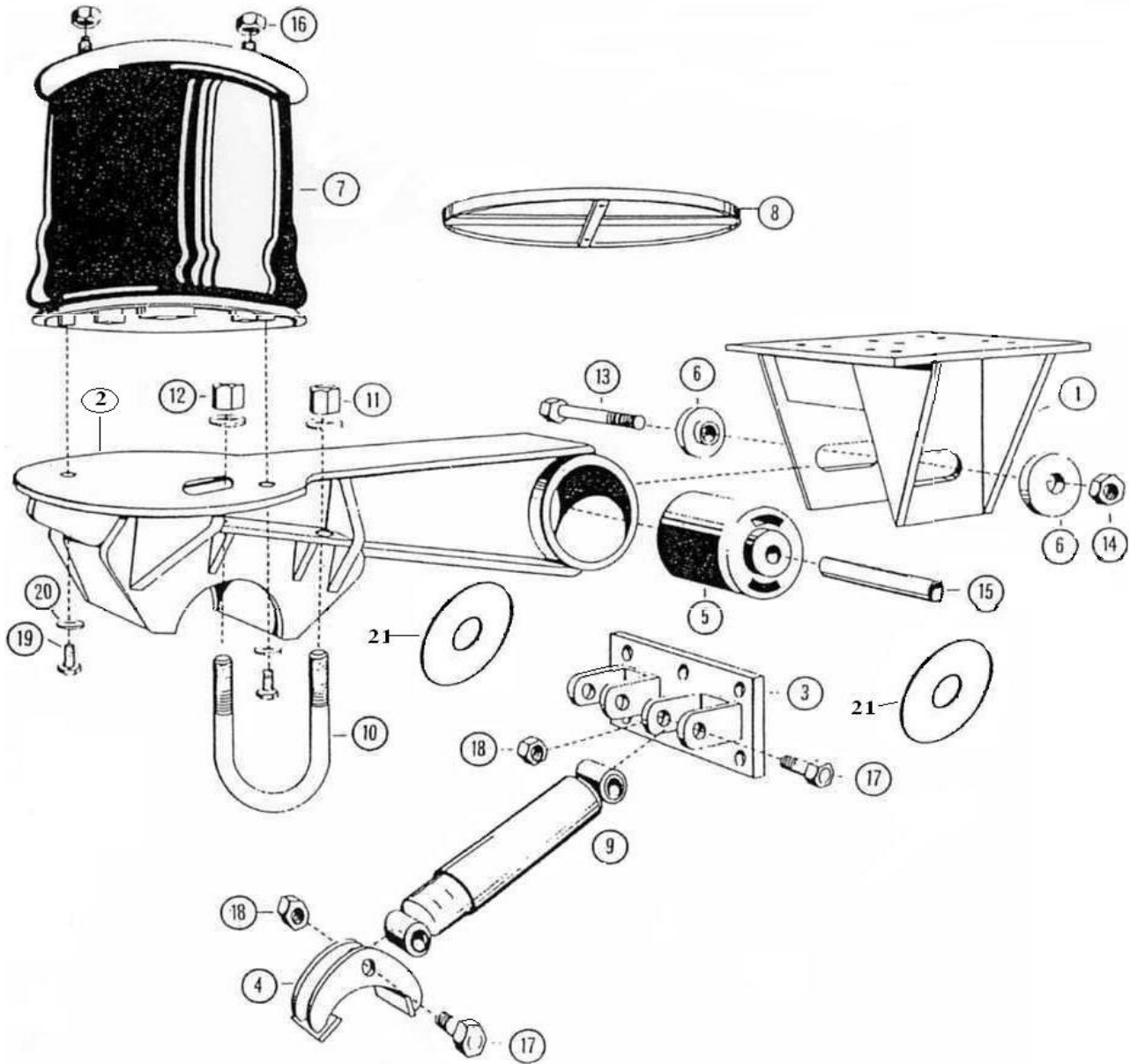
VOLUME 3
revised 2008



Table of Contents

Item	Page Number
Hendrickson T-15 / T17 / T20	2
Hendrickson HT-230-14 / 16	4
Hendrickson HT-300-15 / 17	6
Hendrickson AAT-23K, 25K, 30K	8
Hendrickson Lift Kits	10
Hutchens H-900-50 Single Point	12
Meritor RFS-23T	14
Meritor RFS-25T	16
Neway TS-4400 / 5500 / 5600	18
RHC	20
Reyco 21B	22
Watson Chalin WCTA-5000	24
Watson Chalin WCTL-9000	26
Suspension Rebush Kits	28
Air Springs	29
Leaf Springs	30
Shock Absorbers	31

T-15 / T-17 / T-20



**T-15 | T-17 | T-20****SUSPENSION KITS***

517-25015-20	T-15 (5" Round Axle)
517-25017-20	T-17 (5" Round Axle)
517-25020-20	T-20 (5" Round Axle)
517-25227-20	T-17 with Twin Beam Lift
517-25120-20	T-20 with Twin Beam Lift

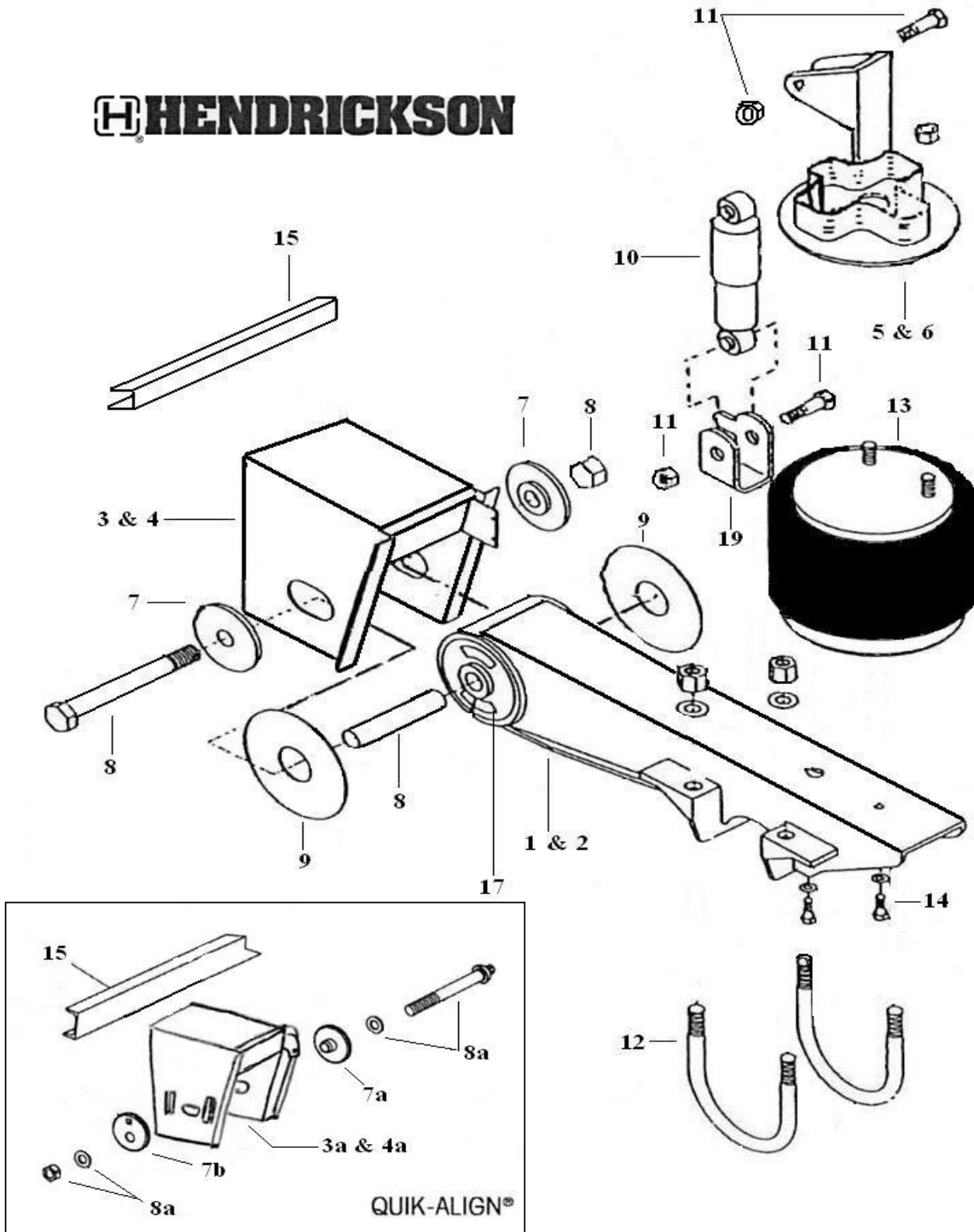
* Suspension kits *do not* include axles.

NO.	PART NUMBER	QTY	ITEM
1	517-05501-20	1	frame bracket T-15 roadside L.H.
	517-05502-20	1	frame bracket T-15 curbside R.H.
	517-05701-20	1	frame bracket T-17 roadside L.H.
	517-05702-20	1	frame bracket T-17 curbside R.H.
	517-05201-20	1	frame bracket T-20 roadside L.H.
	517-05202-20	1	frame bracket T-20 curbside R.H.
2	517-05703-20	2	beam & axle seat T-15 / T17 roadside L.H.
	517-05704-20	2	beam & axle seat T-15 / T17 curbside R.H.
	517-05203-20	2	beam & axle seat T-20 roadside L.H.
	517-05204-20	2	beam & axle seat T-20 curbside R.H.
3	517-05001-20	2	upper shock bracket
4	517-05002-20	2	lower shock bracket
5	517-05003-20	2	tri-functional bushing
6	517-05004-20	4	alignment collar
7	518-05005-20	2	air spring (two stud) 1985 to present
	518-05004-20	2	air spring (four stud) pre 1985
8	558-05008-00	2	* aluminum air spring spacer plate
9	517-05006-20	2	shock absorber
10	517-05007-20	4	axle connection u-bolt
11	540-08020-14	8	7/8" flat washer (grade 8)
12	540-06000-14	8	7/8" high hex nut (grade 8)
13	517-05008-20	2	1-1/8" x 9-3/4" uss beam bolt kit (grade 8)
14	540-06000-17	2	1-1/8" uss hex lock nut
15	517-05015-20	2	beam bolt delrin liner tube
16	540-01000-12	4	3/4" sae hex nut
17	540-15035-12	4	3/4" x 3-1/2" uss hex head bolt
18	540-14000-12	4	3/4" uss hex head lock nut
19	540-15015-08	4	1/2" x 1-1/2" uss hex head bolt
20	540-02000-08	4	1/2" flat washer
21	517-05206-20	4	bushing retainer disc

*installed under T-17 suspension air spring when spread suspension is used.

Refer to PAGE 28 for suspension rebush kit numbers.

HT-230-14 / 16





HT-230-14 | 16

SUSPENSION KITS*

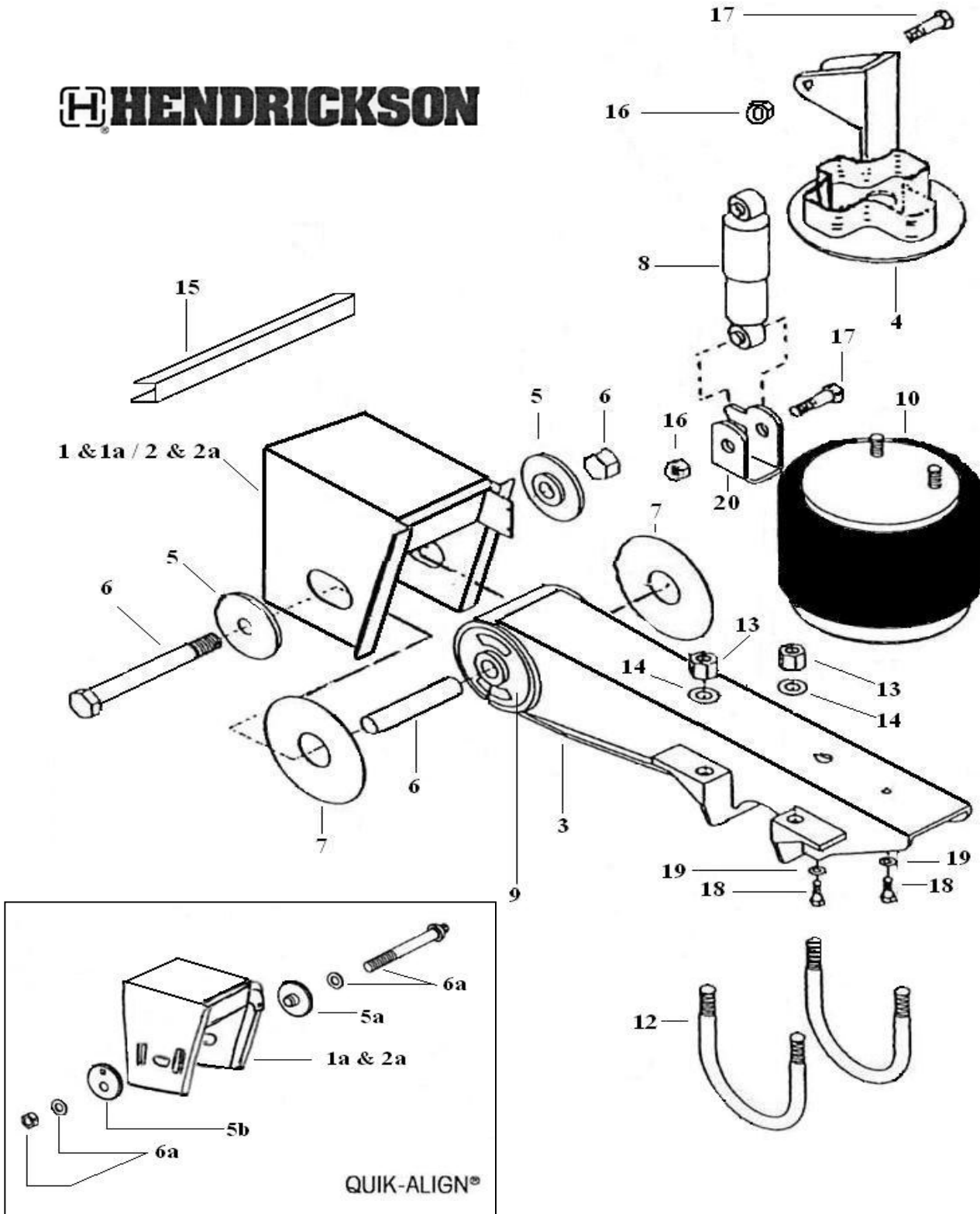
517-25014-20	HT-230-14-002 (bolt on)
517-25016-20	HT-230-16-002 (bolt on)
517-25219-20	HT-230-19-002 (bolt on)
517-25114-20	HT-230-14-001 (weld on)

* Suspension kits *do not* include axles.

NO.	PART NUMBER	QTY	ITEM
1	517-05100-20	1	beam & axle seat HT-14/16 (curbside) R.H.
2	517-05101-20	1	beam & axle seat HT-14/16 (roadside) L.H.
3	517-05102-20	1	frame bracket HT-14 (curbside) R.H.
	517-05103-20	1	frame bracket HT-14 (roadside) L.H.
3a	517-05802-20	1	frame bracket (Quick Align) 230TB-14-002 R.H.
	517-05803-20		frame bracket (Quick Align) 230TB-14-002 L.H.
4	517-05104-20	1	frame bracket HT-16 (curbside) R.H.
	517-05105-20	1	frame bracket HT-16 (roadside) L.H.
4a	517-05800-20	1	frame bracket (Quick Align) 230TB-16-002 R.H.
	517-05801-20	1	frame bracket (Quick Align) 230TB-16-002 L.H.
5	517-05106-20	1	air spring / shock mount HT-14 (curbside) R.H.
	517-05107-20	1	air spring / shock mount HT-14 (roadside) L.H.
6	517-05108-20	1	air spring / shock mount HT-16 (curbside) R.H.
	517-05109-20	1	air spring / shock mount HT-16 (roadside) L.H.
7	517-05004-20	4	alignment collar (welded alignment)
7a	517-05020-20	2	<u>Quick Align</u> alignment collar ecentric
	517-05021-20	2	<u>Quick Align</u> alignment collar concentric
8	517-05008-20	2	pivot beam bolt kit (welded alignment)
8a	517-05679-20	2	pivot beam bolt kit (Quick Align)
9	517-05206-20	4	bushing retainer disc
10	517-05110-20	2	shock absorber
11	540-14000-12	4	3/4" USS hex lock nut
	540-15030-12	4	3/4" x 3" USS hex head bolt
12	517-05113-20	4	u-bolt
13	518-05009-20	2	air spring HT-14 / HT-16
14	540-01000-12	4	3/4" SAE hex head nut
15	554-05065-01	1	frame channel (96" wide trailer)
	554-05065-02	1	frame channel (102"wide trailer)
17	517-05003-20	2	tri-functional bushing
19	517-05111-20	2	lower shock mount bracket

Refer to PAGE 28 for suspension rebush kit numbers.

HT-300-15 / 17



**HT-300-15 /17****SUSPENSION KITS***

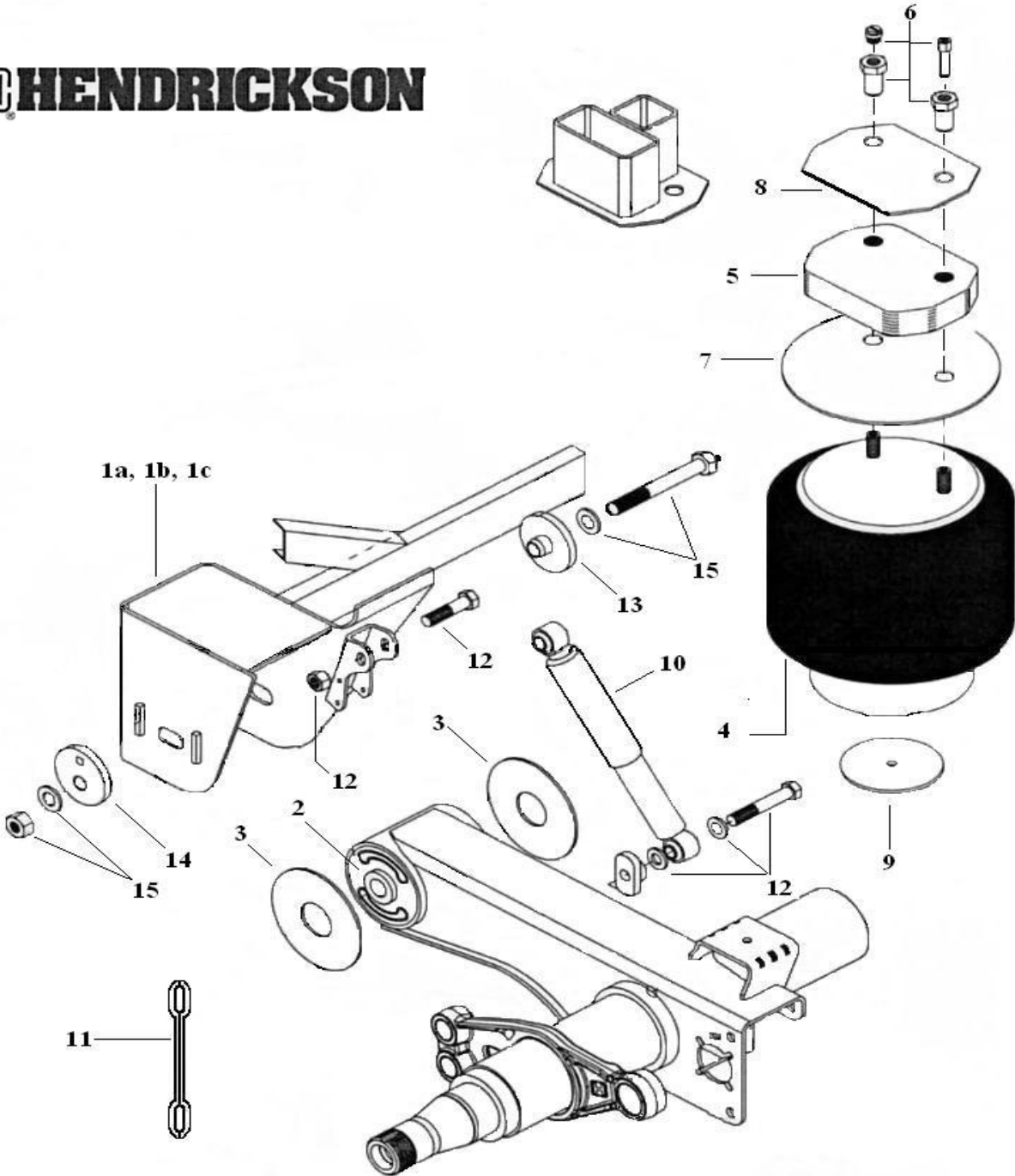
517-25315-20	HT-300-15-002 (bolt on)
517-25317-20	HT-300-17-002 (bolt on)
517-25314-20	HT-300-15-002 (weld on)
517-25316-20	HT-300-17-002 (weld on)

* Suspension kits *do not* include axles.

NO.	PART NUMBER	QTY	ITEM
1	517-05300-20	1	frame bracket HT-300-17-002 (curbside) R.H.
	517-05301-20	1	frame bracket HT-300-17-002 (roadside) L.H.
1a	517-05902-20	1	frame bracket (Quick Align) HT300-17-002-TC R.H.
	517-05903-20	1	frame bracket (Quick Align) HT300-17-002-TC L.H.
2	517-05302-20	1	frame bracket HT-300-15-002 (curbside) R.H.
	517-05303-20	1	frame bracket HT-300-15-002 (roadside) L.H.
2a	517-05904-20	1	frame bracket (Quick Align) HT300-15-002-TC R.H.
	517-05905-20	1	frame bracket (Quick Align) HT300-15-002-TC L.H.
3	517-05304-20	1	beam & axle seat HT-300-15 / 17 (curbside) R.H.
	517-05305-20	1	beam & axle seat HT-300-15 / 17 (roadside) L.H.
4	517-05307-20	1	air spring / shock mount HT300-17-002 R.H.
	517-05308-20	1	air spring / shock mount HT300-17-002 L.H.
	517-05309-20	1	air spring / shock mount HT300-15-002 R.H.
	517-05310-20	1	air spring / shock mount HT300-15-002 L.H.
5	517-05004-20	4	alignment collar (welded alignment)
5a	517-05020-20	2	<u>Quick Align</u> alignment collar eccentric
5b	517-05021-20	2	<u>Quick Align</u> alignment collar concentric
6	517-05008-20	2	pivot beam bolt kit (welded alignment)
6a	517-05679-20	2	pivot beam bolt kit (Quick Align)
7	517-05206-20	4	bushing retainer disc
8	517-05306-20	2	shock absorber
9	517-05003-20	2	tri-functional bushing
10	518-05005-20	2	air spring
12	517-05113-20	4	axle u-bolt
13	540-06000-14	8	7/8" high hex nut (grade 8)
14	540-08020-14	8	7/8" spacer washer (grade 8)
15	554-05014-00	1	frame support channel
16	540-14000-12	4	3/4" USS hex lock nut
17	540-15035-12	4	3/4" x 3-1/2" USS hex head bolt
18	540-05015-08	4	1/2" X 1-1/2" bolt
19	540-03000-08	4	1/2" lock washer

Refer to PAGE 28 for suspension rebush kit numbers.

AAT-23K, 25K, 30K





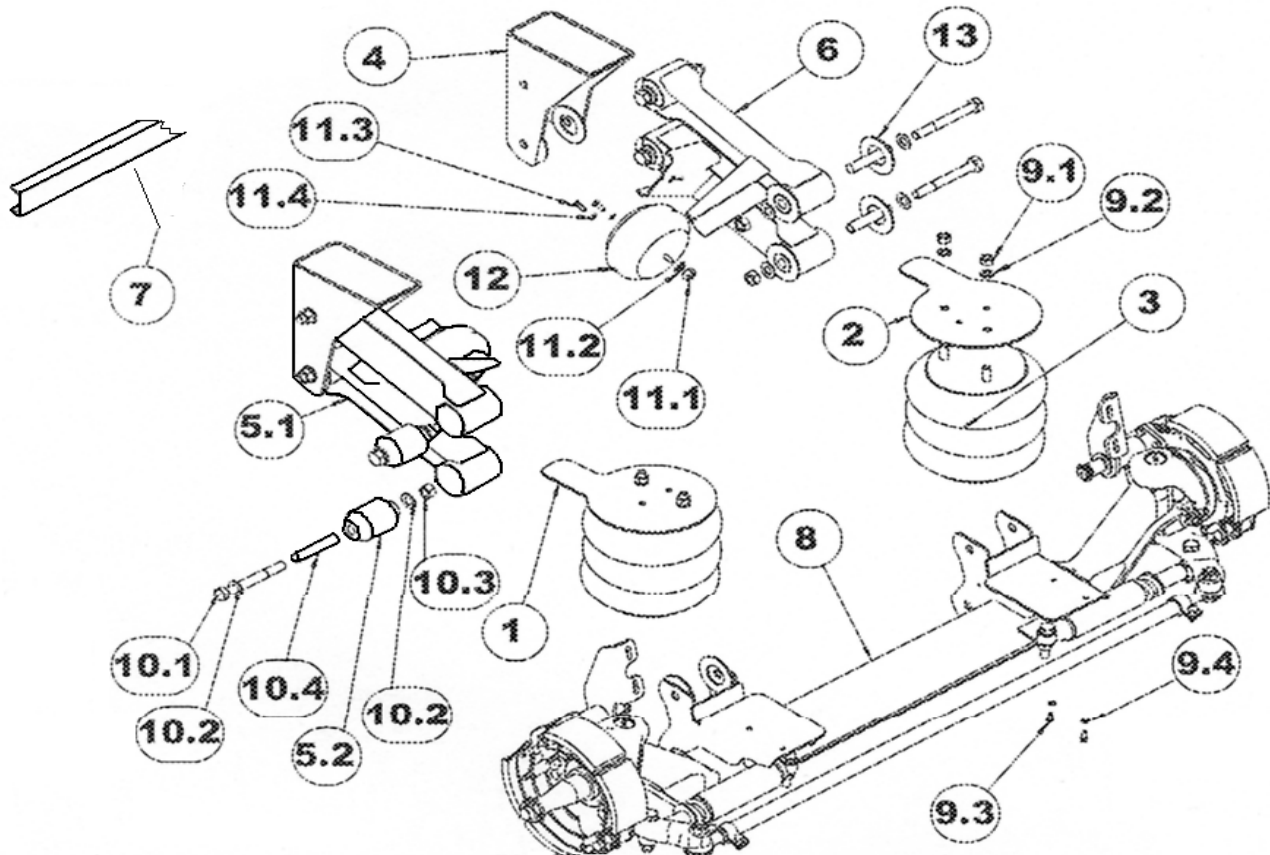
AAT-23K, 25K, 30K

NO.	PART NUMBER	QTY	ITEM
1a	517-15825-20	1	hanger, AAT23K/25K-14" B.O. (roadside) L.H.
	517-15826-20	1	hanger, AAT23K/25K-14" B.O. (curbside) R.H.
1b	517-15823-20	1	hangar, AAT23K,25K,30K-16" & 17" B.O. (roadside) L.H.
	517-15824-20	1	hangar, AAT23K,25K,30K-16" & 17" B.O. (curbside) R.H.
1c	517-15831-20	1	hangar, AAT23K,25K,30K- 18" & 19" B.O. (roadside) L.H.
	517-15832-20	1	hangar, AAT23K,25K,30K- 18" & 19" B.O. (curbside) R.H.
2	517-05003-20	2	tri-functional beam bushing
3	517-05206-20	4	bushing retainer disc
4	518-05017-20	2	air spring AAT-23K
	518-05018-20	2	air spring AAT-25K
	518-05022-20	2	air spring AAT-30K
	518-05023-20	2	air spring AAL-30K
5	517-15125-20	2	air spring spacer (1-1/8") AAT23K, 25K, 30K - 15
	517-15126-20	2	air spring spacer (1-7/8") AAT23K, 25K, 30K - 16
	517-15127-20	2	air spring spacer (3-1/8") AAT23K, 25K, 30K - 17
6	517-15190-20	2	air spring attachment bolt kit AAT23K, 25K, 30K - 15
	517-15191-20	2	air spring attachment bolt kit AAT23K, 25K, 30K - 16
	517-15192-20	2	air spring attachment bolt kit AAT23K, 25K, 30K - 17
7	517-05813-20	2	air spring flex plate
8		2	air spring mounting plate (B-21145)
9		2	air spring bottom retainer plate
10	517-05805-20	2	shock absorber AAT-23K, 25K
	517-05808-20	2	shock absorber AAT-30K
	517-05809-20	2	shock absorber AAL-30K
11	517-05861-20	2	shock limiting strap AAT23K, 25K
	517-05866-20	2	shock limiting strap AAL30K
12	517-05810-20	2	shock bolt kit
13	517-05020-20	2	eccentric alignment collar
14	517-05021-20	2	concentric alignment collar
15	517-05679-20	2	pivot beam bushing bolt kit (Quick Align)

Refer to PAGE 28 for suspension rebush kit numbers.



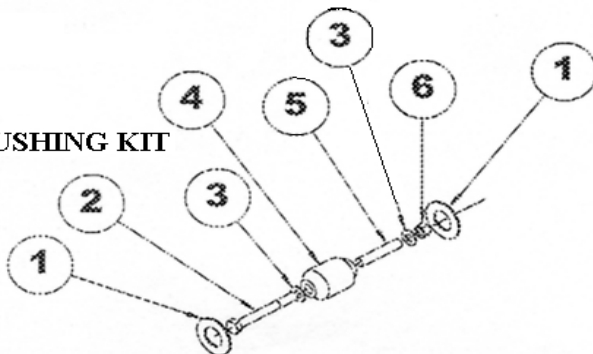
HENDRICKSON PARALIFT ULTRA



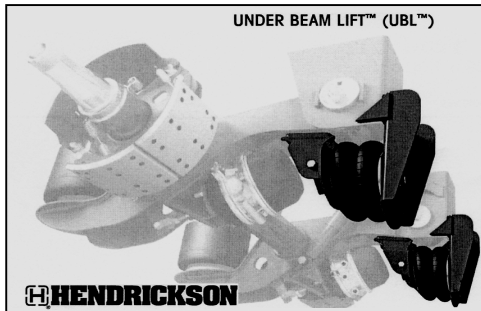
ITEM	PART NO.	DESCRIPTION	QTY
1	001014-1	upper air spring plate	1
2	001014-2	upper air spring plate	1
3	518-05020-20	air spring (ride bag)	2
4	001306	frame brk weldment	2
5	002006-1	Z-beam assy. (road side)	2
5.1	002062-1	Z-beam weldment	1
5.2	002582-1	bushing	2
6	002006-2	Z-beam assy (curb side)	2
7	002948-35	3" channel x 43"long	1
8	axle assy	call with model for part #	1
9	A-13075	air spring bolt kit (ride bag)	2
9.1	SA-1300-8	3/4-16 hex nut grade 8	2
9.2	SA-1600-5	3/4" lock washer	2
9.3	SA-1100-1	3/4-16 x 7/8 HB grade 5	2

ITEM	PART NO.	DESCRIPTION	QTY
9.4	SA1600-1	3/8 regular lock washer	2
10	A14488	pivot bolt kit	1
10.1	SA-100-109	7/8-9 x 7 1/2 HHB grade 8	1
10.2	SA-1500-25	7/8 flat washer R40-45C	2
10.3	SA-8900-29	7/8-9 prevailing torque nut	1
10.4	002520	plastic liner	1
11	A-20079	air spring bolt kit (lift)	2
11.1	SA-1300-8	3/4-16 hex nut grade 8	1
11.2	SA-1600-5	3/4" lock washer	1
11.3	SA-1100-6	3/8-16 x 1 HHB grade 5	2
11.4	SA-1600-1	3/8 regular lock washer	2
12	518-05019-20	air spring (lift)	2
13	B14495	wear pad	16

BUSHING KIT



ITEM	PART NO.	DESCRIPTION	QTY
1	B-14495	Wear Pad	2
2	SA-1000-109	7/8-9 x 7 1/2 HHB Grade 8	1
3	SA-1500-25	7/8 Flat Washer R40-45-C	2
4	002582-1	Bushing	1
5	002520	Plastic Liner	1
6	SA-8900-29	7/8-9 Prevailing Torque Nut	1

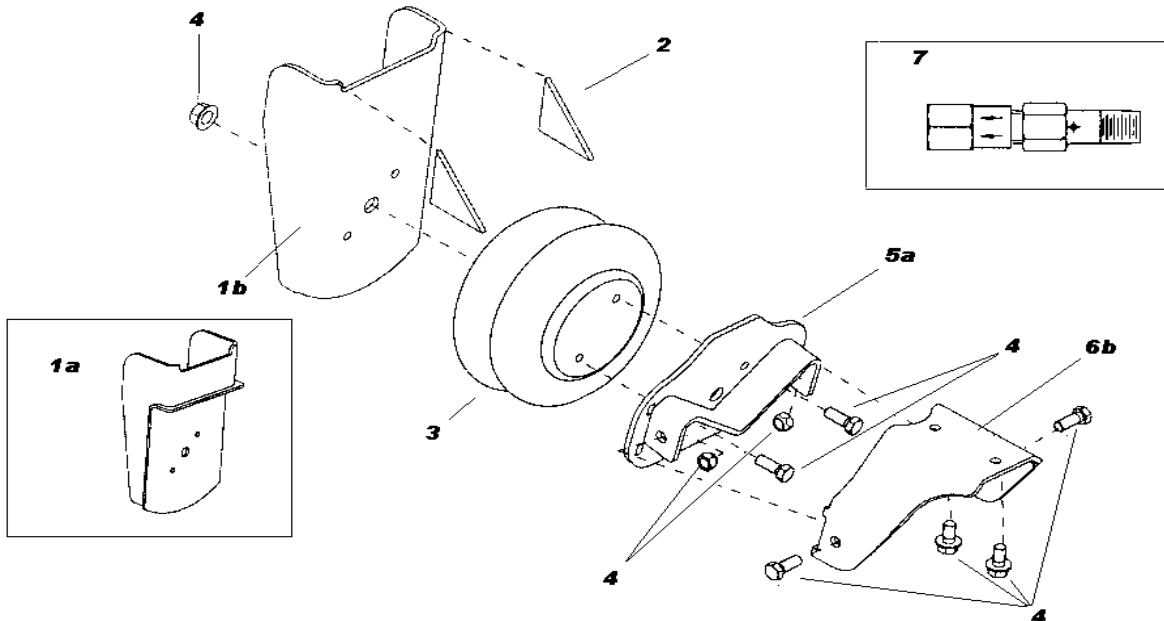


HENDRICKSON

U B L LIFT KIT

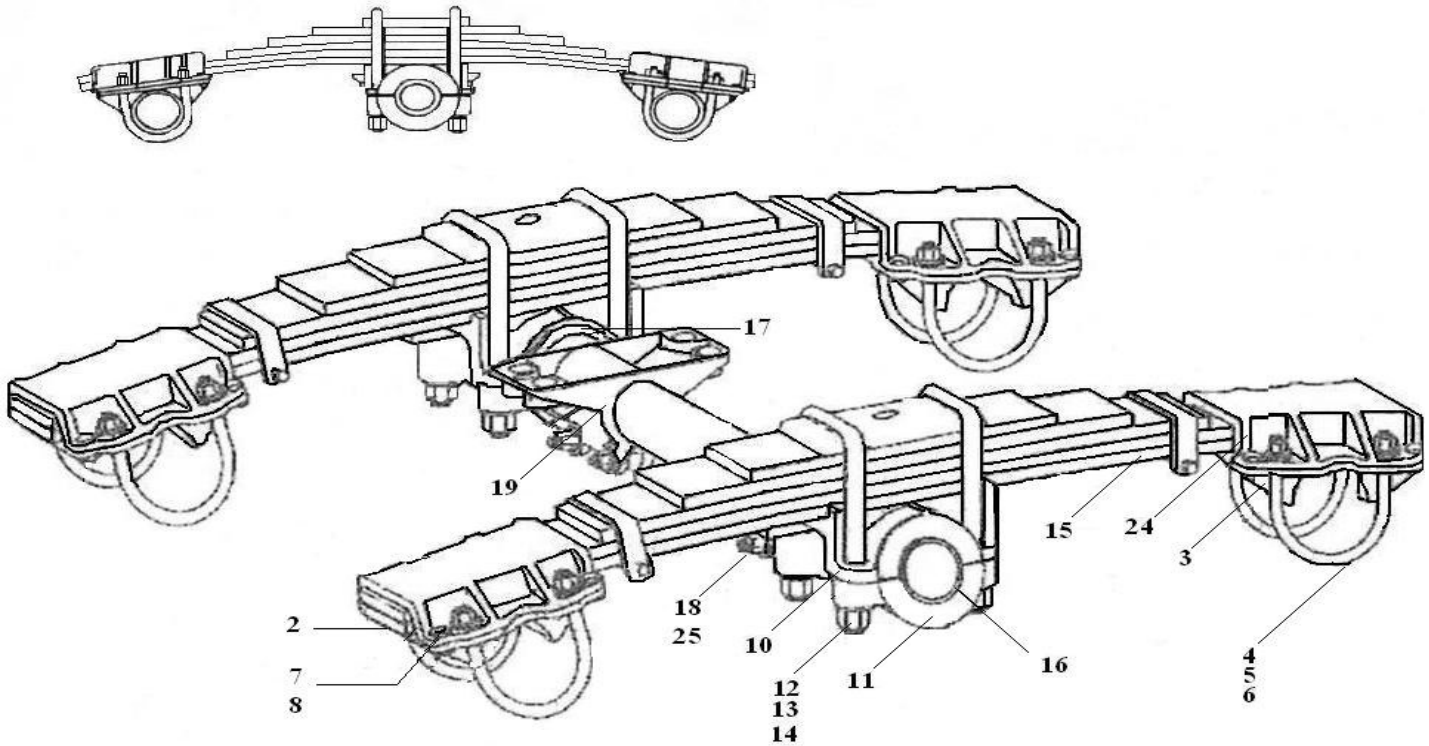
517-15121-20 LIFT KIT AAT INTRAAX

517-15122-20 LIFT KIT AAL INTRAAX

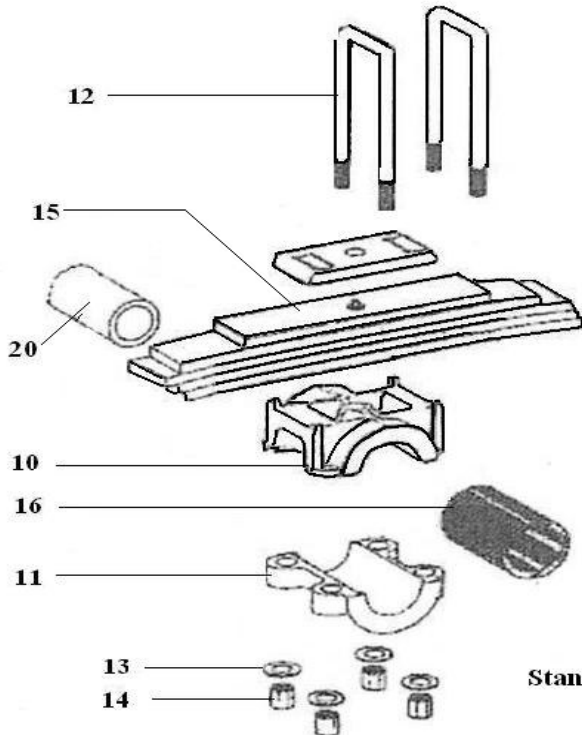


ITEM	DESCRIPTION	PART NO.	QTY.	NOTES
1	FRAME BRACKET LIFT SUPPORT			
1a	UBL-001	D-23301	2	AAT, HT230 and HT300 models
1b	UBL-002, UBL-003	D-24658	2	AAL, AAEDT, AAEDL and HT250T models
1c	UBL-004, Roadside	C-28610-1	1	AANT models only
	UBL-004, Curbside	C-28610-2	1	
2	GUSSET	B-2901-37	4	Use with UBL-002 and UBL-003 frame bracket lift support
3	AIR SPRING	518-05024-20	2	Replaces C-23114
4	LIFT ASSEMBLY BOLT KIT		2	Includes (2) 1/2" bolts, (2) 3/8" bolts, (2) self-tapping screws, (2) prevailing torque hex nuts and (1) Spiralock® hex nut
5	LIFT SPRING PLATE ASSEMBLY			
5a	UBL-001, UBL-002, UBL-003	B-27945	2	All models except AANT
5b	UBL-004	C-28614	2	AANT models only
6	LIFT BRACKET			
6a	UBL-001 (Not Shown)	C-23299	2	AAT, HT230 and HT300 models
6b	UBL-002, UBL-003	C-28537	2	AAL, AAEDT, AAEDL and HT250T models
6c	UBL-004, Roadside	C-28617-1	1	AANT models only
	UBL-004, Curbside (Not Shown)	C-28617-2	1	AANT models only
7	CROSSOVER VALVE — UBL-003	AKAM0004	1	AAL 30K and AAEDL 30K models only

H900-50 50,000LB.

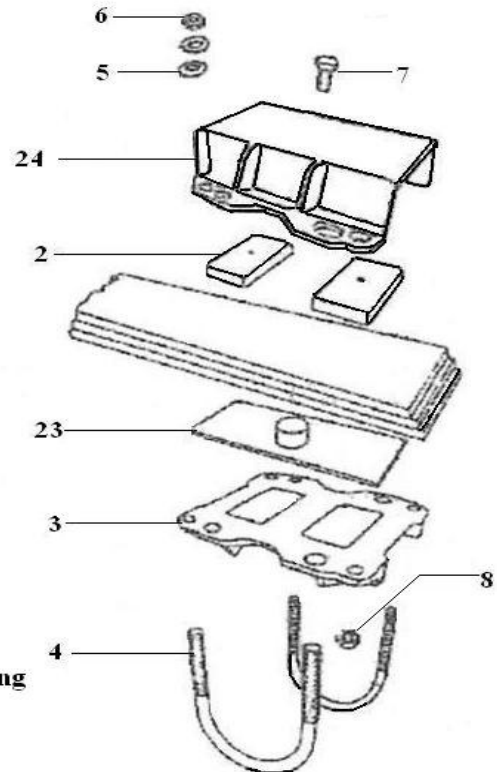


Trunion Center Assembly



Standard

Spring End Assembly



Overstung

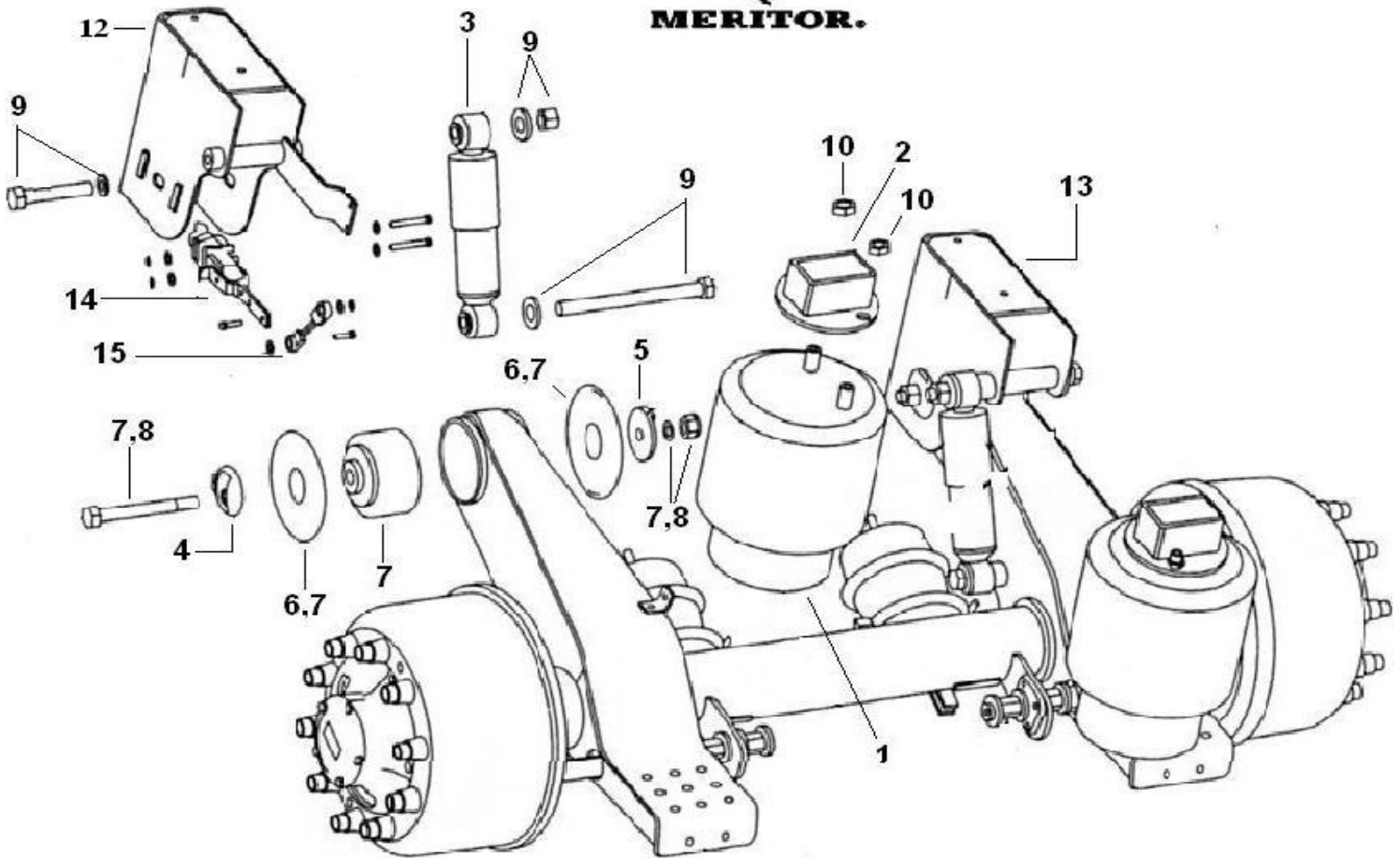
**H900-50****SUSPENSION KITS*****515-25900-08****suspension kit 5" round axle**

*suspension does not include axles.

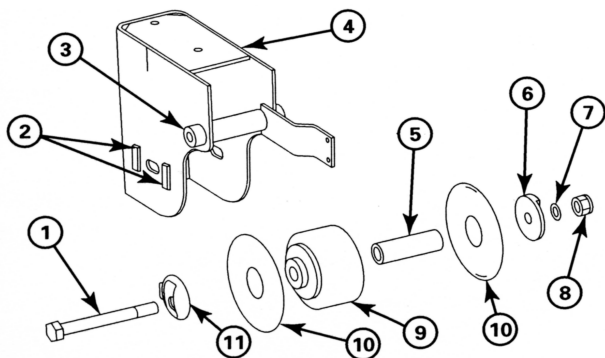
NO.	PART NUMBER	QTY	ITEM
2	515-05005-08	8	rubber pad
3	515-05002-08	4	spring seat (5" round axle)
	515-05003-08	4	spring seat (5" square axle)
4	515-05006-08	8	axle u-bolt (5" round axle)
	515-05007-08	8	axle u-bolt (5" square axle)
5	540-11000-12	16	3/4" USS hex nut
6	540-02000-12	32	3/4" flat washer
7	540-14000-10	16	5/8" USS lock nut
8	540-15020-10	16	5/8" x 2" USS hex head bolt
9	515-05008-08	2	cast top plates (trunnion)
10	515-05009-08	2	trunnion hub (upper half)
11	515-05010-08	2	trunnion hub (lower half)
12	515-05011-08	4	1-1/8" x 14-1/2" trunnion u-bolt (seven leaf spring)
	515-05012-08	4	1-1/8" x 15-1/2" trunnion u-bolt (nine leaf spring)
13	540-06000-07	8	1-1/8" SAE hi-nut (grade 8)
14	515-05011-16	8	1-1/8" washer (u-bolt)
15	516-25999-08	2	7 leaf spring assembly (50,000 lb)
	516-25101-08	2	9 leaf spring assembly (60,000 lb)
16	515-05015-08	2	rubber trunnion bushing
17	515-05019-08	2	1/4" x 6" spacer
18	540-05045-12	4	3/4" x 4-1/2" SAE hex head bolt
19	515-05018-08	2	trunnion hangar (8-1/2" height)
20	515-05016-08	1	3/4" trunnion tube
23	515-05004-08	4	alignment plates
24	515-05001-08	4	spring end cap
25	540-01000-12	4	3/4" SAE hex nut

Refer to PAGE 28 for suspension rebush kit numbers.

RFS-23T



ITEM IDENTIFICATION ONLY FOR PIVOT & ALIGNMENT



- 1 7/8"-9 GRADE 8 PIVOT BOLT, LENGTH VARIES
- 2 ALIGNMENT BLOCKS
- 3 SHOCK MOUNTING TUBE
- 4 ROADSIDE HANGER ASSEMBLY
- 5 BUSHING INSERT
- 6 CONCENTRIC ALIGNMENT COLLAR
- 7 7/8" FLAT WASHER
- 8 7/8"-9 GRADE C LOCK NUT
- 9 MULTI-FUNCTIONAL BUSHING
- 10 WEAR WASHER
- 11 ECCENTRIC ALIGNMENT COLLAR



RFS-23T

Suspension Kits:	517-25724-18	FS-23T / 71.5" / TQ / 14" / bolt on
	517-25726-18	FS-23T / 71.5" / TQ / 16" / bolt on
	517-25754-18	FS-23T / 77.5" / TP / 14" / bolt on
	517-25756-18	FS-23T / 77.5" / TP / 16" / bolt on
	517-25824-18	FS-23T / 77.5" / TQ / 14" / bolt on
	517-25826-18	FS-23T / 77.5" / TQ / 16" / bolt on

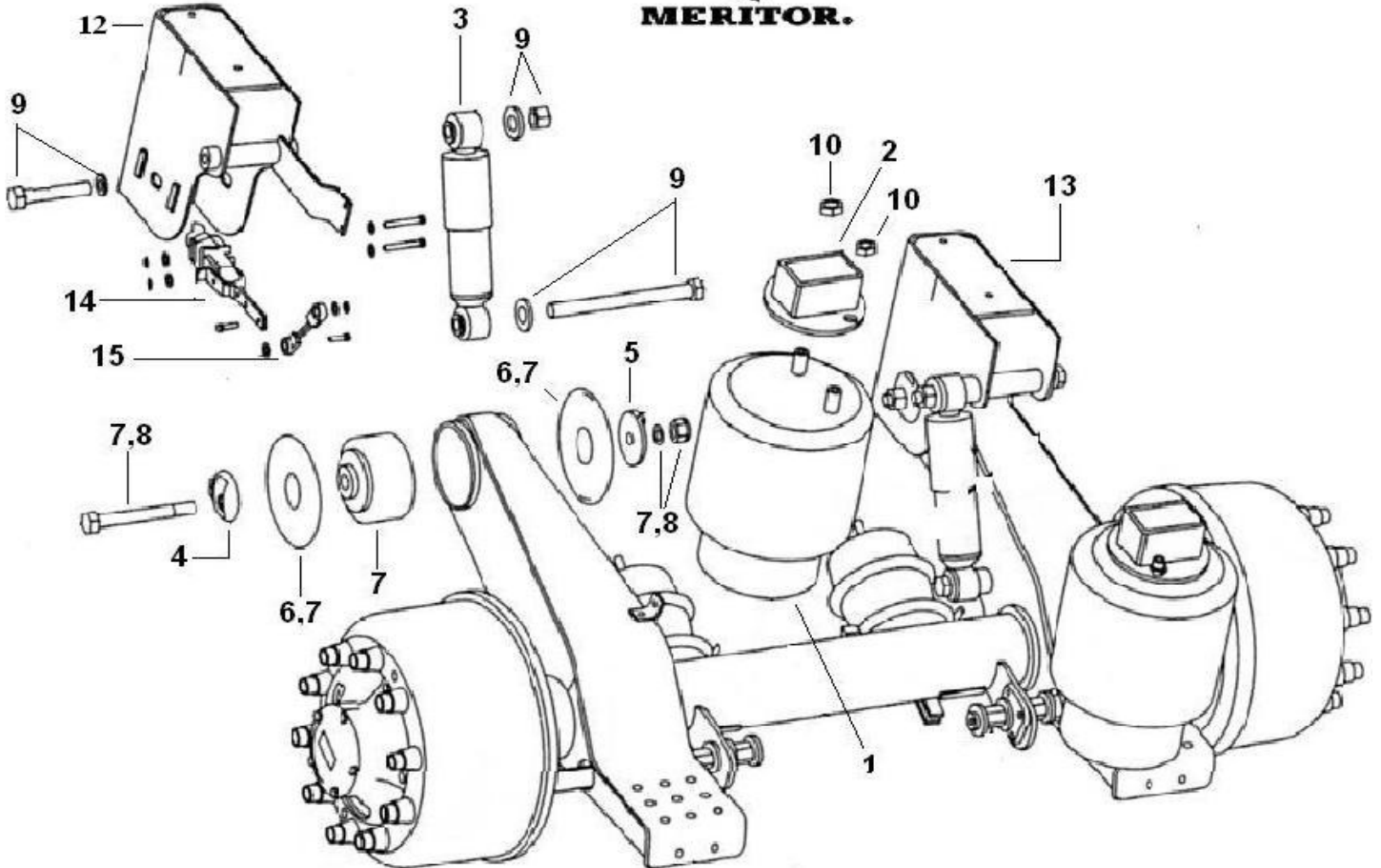
NO.	PART NUMBER	QTY	ITEM
1	518-05001-18	2	air spring
2	517-05007-18	2	14" ride height / air spring pedestal RFS23T / RFS25T
	517-05009-18	2	15" ride height / air spring pedestal RFS23T / RFS25T
	517-05002-18	2	16" ride height / air spring pedestal RFS23T / RFS25T
3	517-05001-18	2	shock absorber RFS23T / RFS25T 14/16 ride height
4	517-05003-18	2	eccentric alignment collar
5	517-05004-18	2	concentric alignment collar
6	517-05005-18	4	wear washer RFS23T / RFS25T
7	517-05006-18	2	pivot bolt / bushing kit - RFS23T
	Kit Contains:	1	7/8"-9 x 7.5" grade 8 bolt
		1	flat washer
		1	7/8-9 hex lock nut
		2	wear washer
		1	pivot bushing
		1	bushing insert
8	517-05013-18	2	alignment pivot kit RFS23T
	Kit Contains:	1	7/8"-9 x 8.5" grade 8 bolt
		1	flat washer
		1	7/8-9 hex lock nut
		1	bushing insert
9	517-05011-18	2	shock bolt kit/ RFS23T / RFS25T (7/8"-9 x 11" / grade 8)
10	517-05012-18	2	air spring bolt kit (3/4"-16 lock nut/1/2"-13 lock nut/1/4"plug)
12	517-15723-18	1	14" ride height / bolt-on hangar / (roadside) LH RFS-23T
	517-15727-18	1	15" ride height / bolt-on hangar / (roadside) LH RFS-23T
	517-15725-18	1	16" ride height/ bolt-on hangar/ (roadside) LH RFS-23T
	517-15729-18	1	17" ride height / bolt-on hangar / (roadside) LH RFS-23T
13	517-15724-18	1	14" ride height / bolt-on hangar / (curbside) RH RFS-23T
	517-15728-18	1	15" ride height / bolt-on hangar / (curbside) RH RFS-23T
	517-15726-18	1	16" ride height / bolt-on hangar / (curbside) RH RFS-23T
	517-15730-18	1	17" ride height / bolt-on hangar / (curbside) RH RFS-23T
14	510-05001-18	1	suspension height control valve w/ auto dump
	510-25007-14	1	supsension height control valve
15	510-15188-14	1	linkage for height control valve

Refer to PAGE 28 for suspension rebush kit numbers.

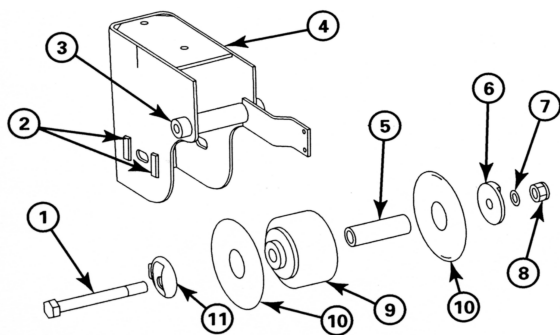
RFS-25T



MERITOR.



ITEM IDENTIFICATION ONLY FOR PIVOT & ALIGNMENT



- 1 7/8"-9 GRADE 8 PIVOT BOLT, LENGTH VARIES
- 2 ALIGNMENT BLOCKS
- 3 SHOCK MOUNTING TUBE
- 4 ROADSIDE HANGER ASSEMBLY
- 5 BUSHING INSERT
- 6 CONCENTRIC ALIGNMENT COLLAR
- 7 7/8" FLAT WASHER
- 8 7/8"-9 GRADE C LOCK NUT
- 9 MULTI-FUNCTIONAL BUSHING
- 10 WEAR WASHER
- 11 ECCENTRIC ALIGNMENT COLLAR

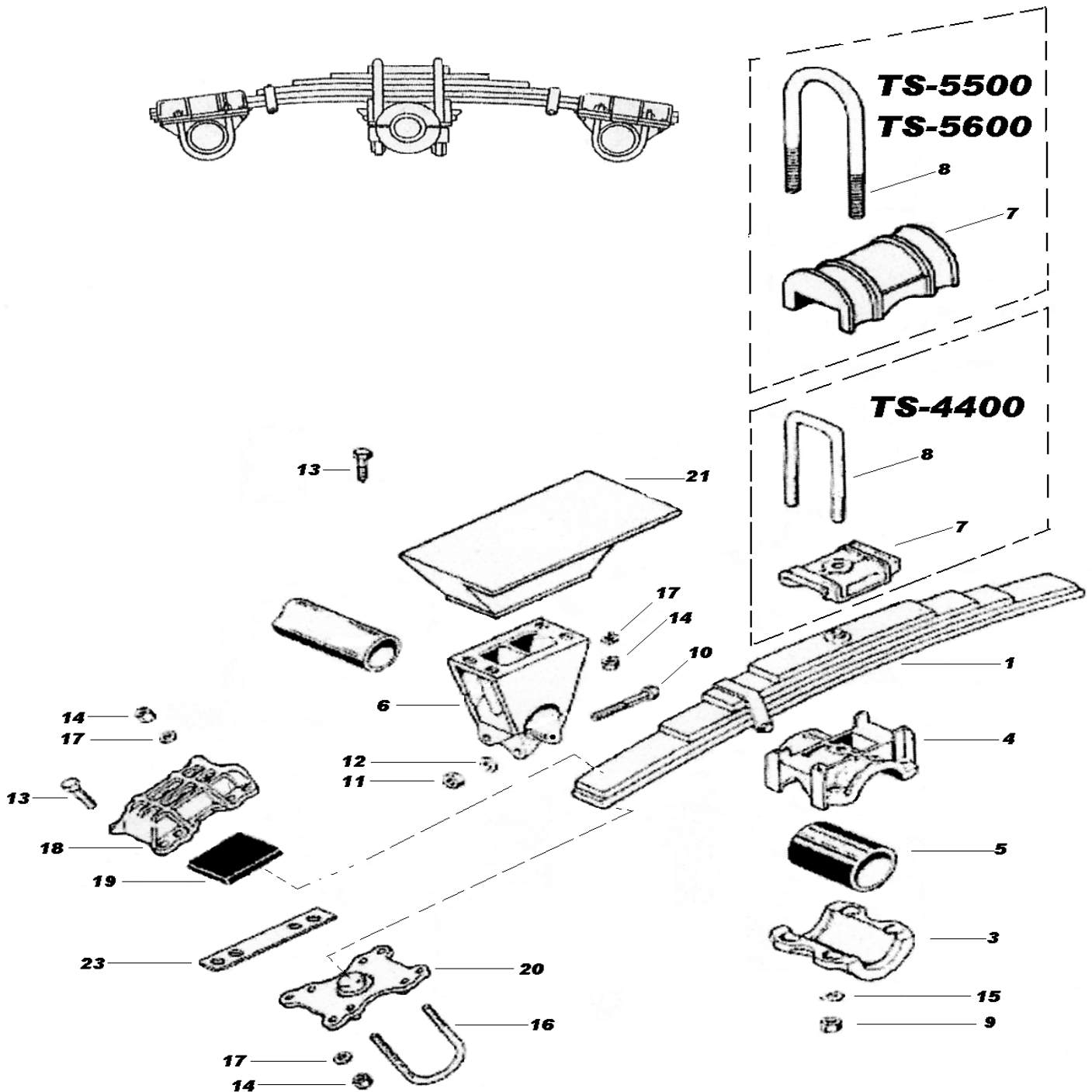


RFS-25T

Suspension Kits:	517-25616-18	FS-25T / 71.5" / TQ / 17" / bolt on
	517-25643-18	FS-25T / 77.5" / TQ / 14" / bolt on
	517-25645-18	FS-25T / 77.5" / TQ / 16" / bolt on
	517-25683-18	FS-25T / 77.5" / TP / 14" / bolt on
	517-25685-18	FS-25T / 77.5" / TP / 16" / bolt on

NO.	PART NUMBER	QTY	ITEM
1	518-05002-18	2	air spring
2	517-05007-18	2	14" ride height / air spring pedestal RFS23T / RFS25T
	517-05009-18	2	15" ride height / air spring pedestal RFS23T / RFS25T
	517-05002-18	2	16" ride height / air spring pedestal RFS23T / RFS25T
3	517-05001-18	2	shock absorber RFS23T / RFS25T 14/16 ride height
4	517-05003-18	2	eccentric alignment collar
5	517-05004-18	2	concentric alignment collar
6	517-05005-18	4	wear washer RFS23T / RFS25T
7	517-05008-18	2	pivot bolt / bushing kit - RFS23T
	Kit Contains:	1	7/8"-9 x 7.5" grade 8 bolt
		1	flat washer
		1	7/8-9 hex lock nut
		2	wear washer
		1	pivot bushing
		1	bushing insert
8	517-05014-18	2	alignment pivot kit RFS23T
	Kit Contains:	1	7/8"-9 x 8.5" grade 8 bolt
		1	flat washer
		1	7/8-9 hex lock nut
		1	bushing insert
9	517-05011-18	2	shock bolt kit/ RFS23T / RFS25T (7/8"-9 x 11" / grade 8)
10	517-05012-18	2	air spring bolt kit (3/4"-16 lock nut/1/2"-13 lock nut/1/4"plug)
12	517-15623-18	1	14" ride height / bolt-on hangar / (roadside) LH RFS-25T
	517-15627-18	1	15" ride height / bolt-on hangar / (roadside) LH RFS-25T
	517-15625-18	1	16" ride height/ bolt-on hangar/ (roadside) LH RFS-25T
	517-15629-18	1	17" ride height / bolt-on hangar / (roadside) LH RFS-25T
13	517-15624-18	1	14" ride height / bolt-on hangar / (curbside) RH RFS-25T
	517-15628-18	1	15" ride height / bolt-on hangar / (curbside) RH RFS-25T
	517-15626-18	1	16" ride height / bolt-on hangar / (curbside) RH RFS-25T
	517-15630-18	1	17" ride height / bolt-on hangar / (curbside) RH RFS-25T
14	510-05001-18	1	suspension height control valve w/ auto dump
	510-25007-14	1	supsension height control valve
15	510-15188-14	1	linkage for height control valve

Refer to PAGE 28 for suspension rebush kit numbers.

TS-4440, 5500, 5600



TS-4440, 5500, 5600

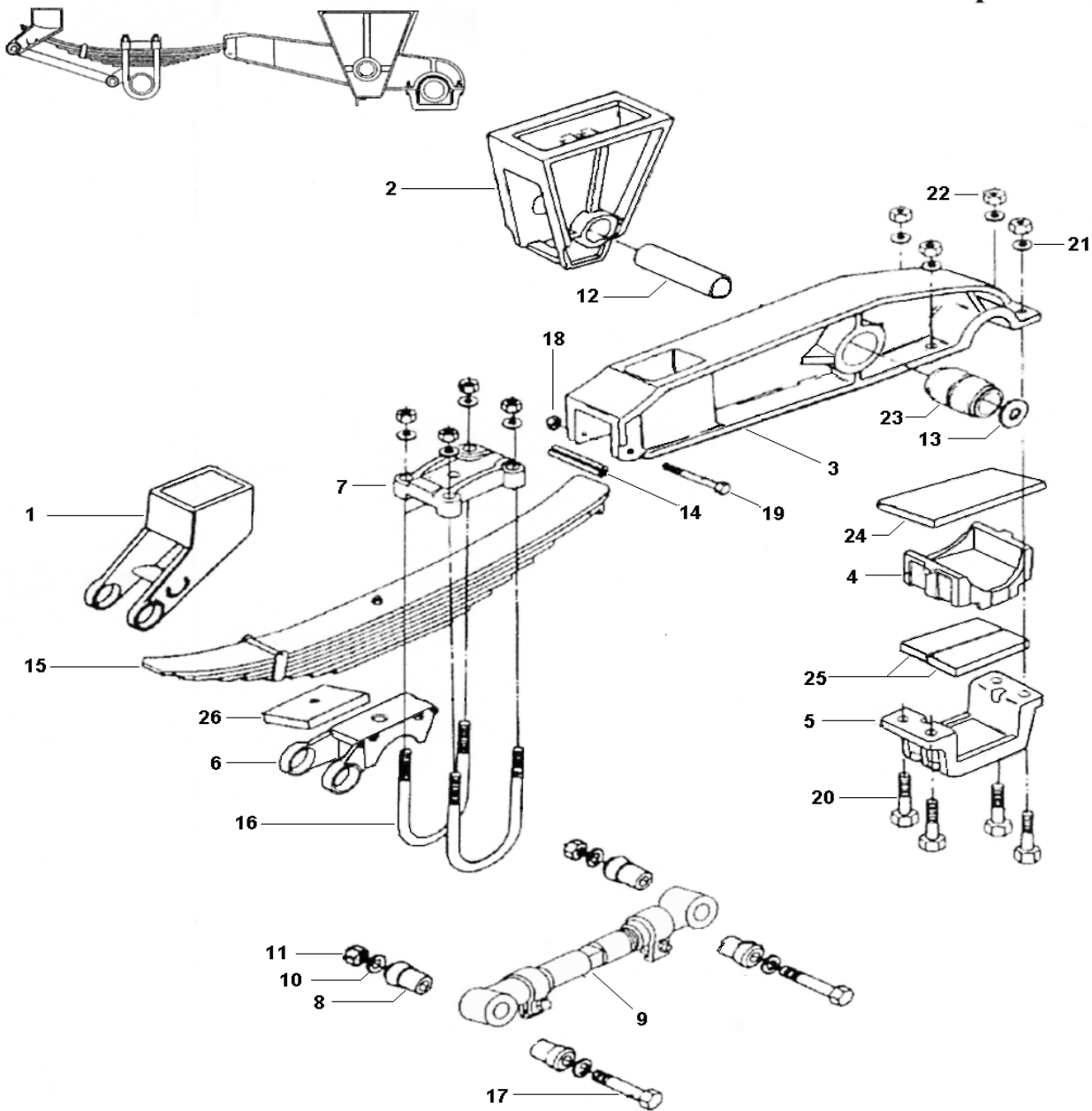
Suspension Kits:	515-25444-14	TS-4400 round axle suspension kit
	515-25550-14	TS-5500 round axle suspension kit
	515-25560-14	TS-5600 round axle suspension kit

NO.	PART NUMBER	QTY	ITEM
1	516-15272-14	2	5" wide - 5 leaf spring (TS-4400)
	516-15273-14	2	5" wide - 5 leaf spring (TS-5500)
	516-15277-14	2	5" wide - 7 leaf spring (TS-5600)
2	515-05027-14	1	4"od x 1/2" wall trunnion tube
3	515-05028-14	2	trunnion hub (lower half)
4	515-05029-14	2	trunnion hub (upper half)
5	515-05030-14	2	trunnion rubber bushing
6	515-05031-14	2	trunnion clamp casting
7	515-05046-14	2	top spring plate (TS-4400)
8	515-05048-14	4	1-1/8" x 11" u-bolt (TS-4400)
	515-05033-14	4	1-1/8" x 14" u-bolt (TS-5500 / TS5600)
9	515-05035-14	8	1-1/8" hex lock nut
10	540-05045-12	4	3/4" x 4-1/2" hex head bolt
11	540-14000-12	4	3/4" USS hex lock nut
12	540-12000-12	4	3/4" USS flat washer
13	540-15025-10	16	5/8" x 2-1/2" USS hex head bolt
14	540-14000-10	40	5/8" USS hex lock nut
15	515-05011-14	8	1-1/8" flat washer
16	515-05036-14	8	5/8" x 7-1/2" u-bolt
17	540-12000-10	40	5/8" USS flat washer
18	515-05053-14	4	spring end cap
19	515-05039-14	4	spring end cap rubber pad
20	515-05040-14	4	spring end pad (round axle)
21	515-05041-14	2	frame bracket
23	515-05054-14	8	spacer

Refer to PAGE 28 for suspension rebush kit numbers.

50,000 lb**RHC DUMP SUSPENSION**

Designed uniquely for dump suspensions.
Combines outstanding dumping stability
and low maintenance cost in one suspension.



**R H C 50,000LB**

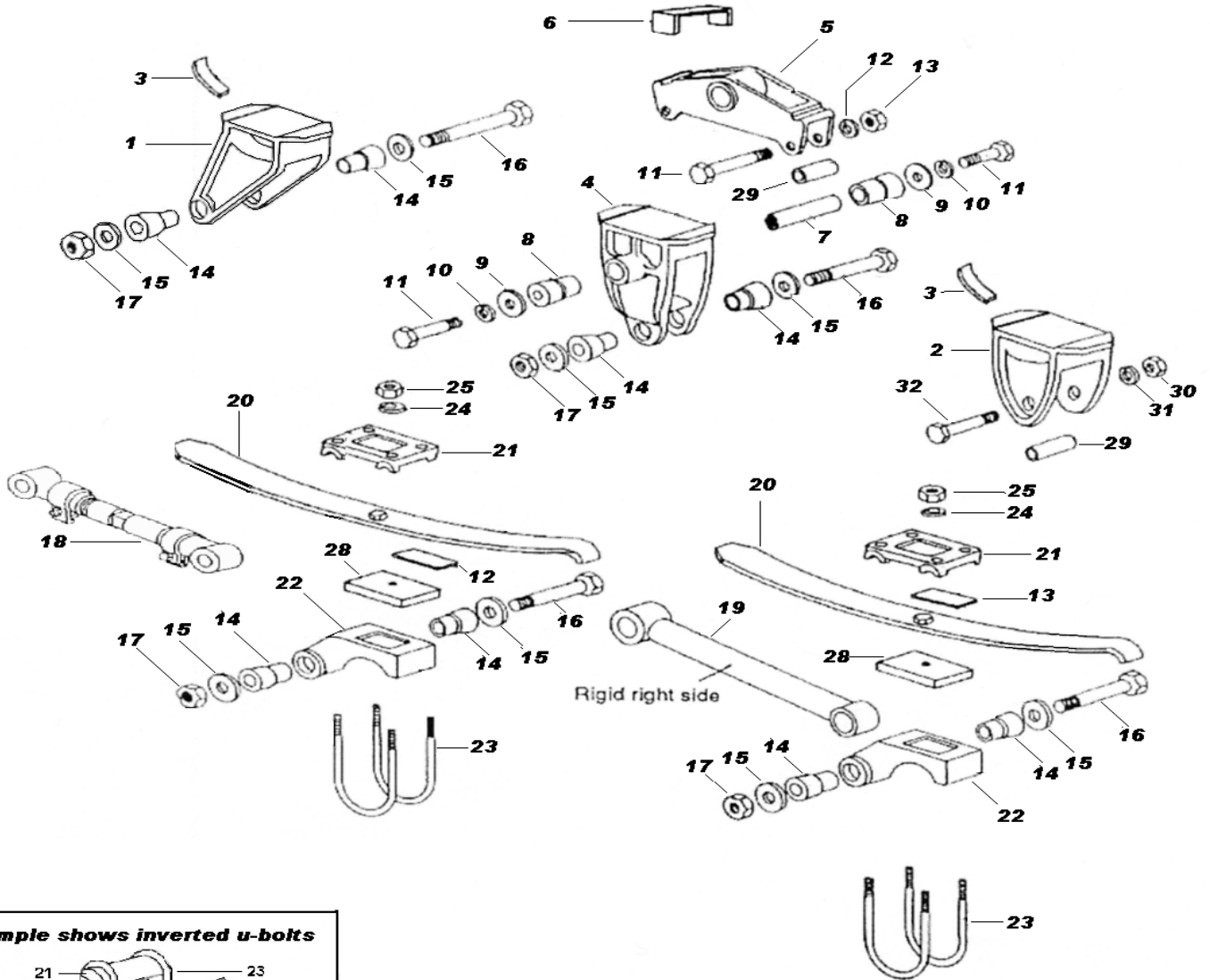
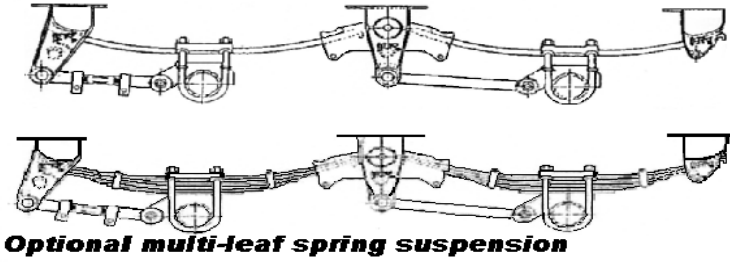
Suspension Kits: 515-25051-05 tandem multi-leaf

note: suspension does not include axles.

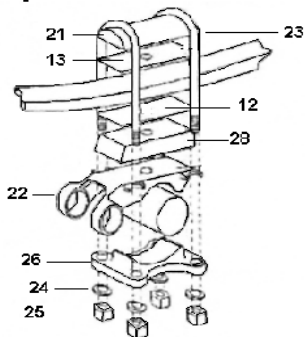
NO.	PART NUMBER	QTY	ITEM
1	515-05101-05	2	front spring hangar
2	515-05633-05	2	trunnion hangar
3	515-15129-05	2	equalizing beam (w/ bushing installed)
4	515-05655-05	2	axle adaptor (5" round axle)
5	515-05666-05	2	rear axle connection cap
6	515-15677-05	2	2-1/4" axle seat (5" round axle)
7	515-05688-05	2	top plate
8	515-05515-05	8	torque arm rubber bushing
9	515-15110-05	2	long adjustable torque arm
10	515-05305-05	8	torque arm compression washer
11	515-05303-05	8	torque arm lock nut
12	515-05766-05	2	trunnion beam shaft
13	545-05015-00	4	weld on 3/8" thk trunnion retainer washer
14	515-05777-05	2	spring roller pipe
15	516-25092-04	2	9 leaf multi-leaf spring
16	515-15035-05	4	axle u-bolts with hi-nuts & washers
17	515-05330-05	4	grade 8 torque arm connection bolt
18	540-04000-07	2	spring roller lock-nut
19	540-05055-07	2	spring roller bolt
20	515-05218-05	8	axle connection bolt
21	515-05209-05	8	axle connection washer
22	515-05208-05	8	axle connection lock-nut
23	515-05500-05	2	trunnion beam rubber bushing
24	515-05505-05	2	axle rubber wrapper
25	515-05510-05	4	axle rubber pad
26	515-05690-05	2	1-1/4" axle spacer

Refer to PAGE 28 for suspension rebush kit numbers.

REYCO 21B



Example shows inverted u-bolts



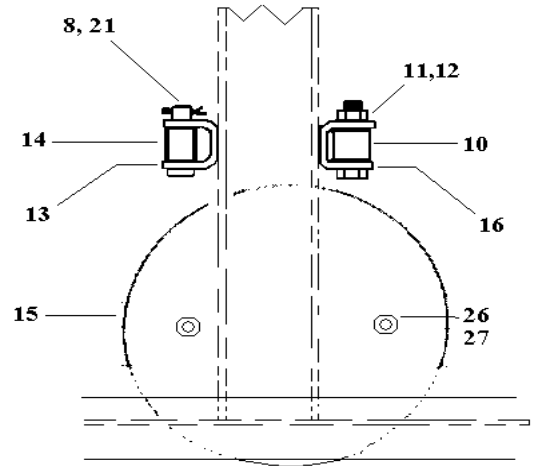
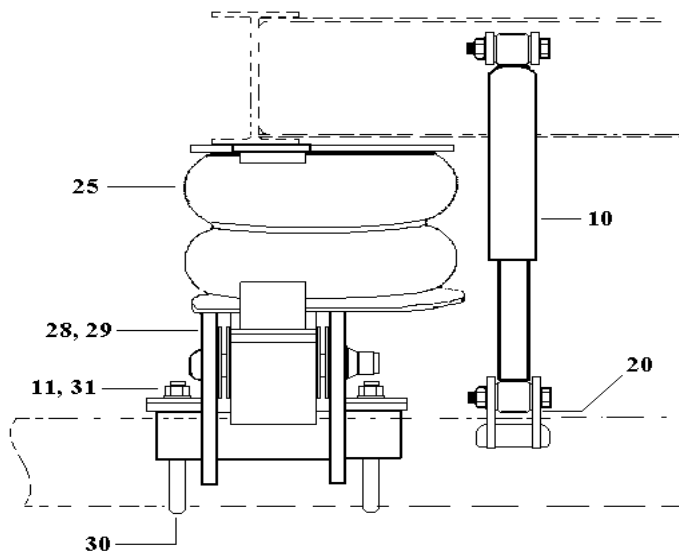
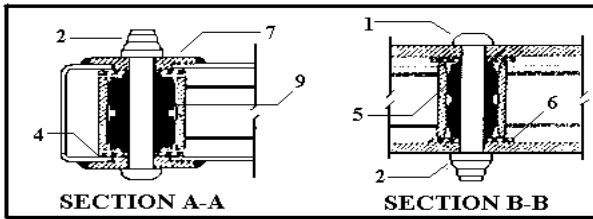
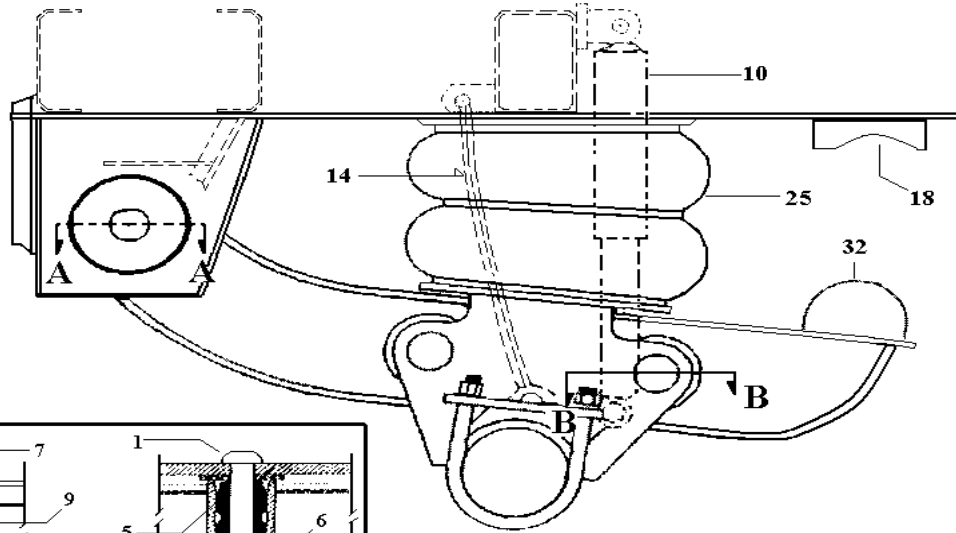


Suspension Kits: 515-25221-18 tandem (5"round) single leaf spring
515-25321-18 tri-axle (5" round) single leaf spring
note: suspension does not include axles.

NO.	PART NUMBER	QTY	ITEM
1	515-05000-18	1	front spring hangar R.H. (2002 and prior)
	515-05001-18	1	front spring hangar L.H. (2002 and prior)
1a	515-05100-18	2	<i>new style light weight front hangar (2002 & newer)</i>
2	515-05002-18	1	rear spring hangar R.H. (2002 and prior)
	515-05003-18	1	rear spring hangar L.H. (2002 and prior)
2a	515-05101-18	2	<i>new style light weight rear hangar (2002 & newer)</i>
3	030-10018-00	4	spring hangar wear pads
4	515-05004-18	2	center spring hangar
5	515-05005-18	2	equalizer
6	030-10019-00	4	equalizer reinforcement caps
7	515-05025-18	2	equalizer shaft
8	515-05024-18	4	equalizer bushing
9	515-05022-18	4	equalizer compression washer
10	540-03000-12	4	3/4" lock washer
11	515-05023-18	4	equalizer bolts
12	516-05002-23	4	delrin wear pad (no hole)
13	515-05001-23	4	delrin wear pad (w/ hole)
14	515-05019-18	16	torque arm rubber bushing
15	515-05007-18	16	torque arm compression washer
16	515-05020-18	8	torque arm bolt
17	515-05021-18	8	torque arm lock-nut
18	515-05009-18	1	short torque arm (front) adjustable
	515-05010-18	1	long torque arm (reat) adjustable
19	515-05011-18	1	short torque arm (front) rigid
	515-05008-18	1	long torque arm (reat) rigid
20	516-25303-23	4	single leaf (heavy duty) spring
	516-25564-18	4	3 main 8 leaf multi-leaf spring
	516-25452-18	4	3 main 9 leaf multi-leaf spring
21	515-05026-18	4	top plate
	515-05040-18	4	top plate (inverted u-bolts)
22	515-05032-18	4	3/4" h (5" round) axle seat (multi-leaf)
	515-05038-18	4	3-1/4" h (5"round) axle seat (single-leaf)
23	515-05035-18	4	17-1/2" x 5-1/4" round axle u-bolts
	515-05045-18	4	17-1/2" x 3" inverted type u-bolt
24	540-08020-14	16	7/8" SAE flat washer (grade 8)
25	540-06000-14	16	7/8" SAE high nut
26	515-05043-18	4	bottom plate (inverted u-bolts) 5" round axle
28	515-05031-18	2	2-1/2" axle seat spacer
	515-05030-18	2	2" axle seat spacer
	515-05029-18	2	1-1/2" axle seat spacer
	515-05028-18	2	1" axle seat spacer
	515-05027-18	2	1/2" axle seat spacer
29	515-05006-18	6	spring roller
30	540-01000-08	6	spring roller hex nut
31	540-03000-08	6	spring roller lock washer
32	540-05050-08	6	spring roller bolt

Refer to PAGE 28 for suspension rebush kit numbers.

WCTA-5000



**WCTA-5000****Suspension Kits:**

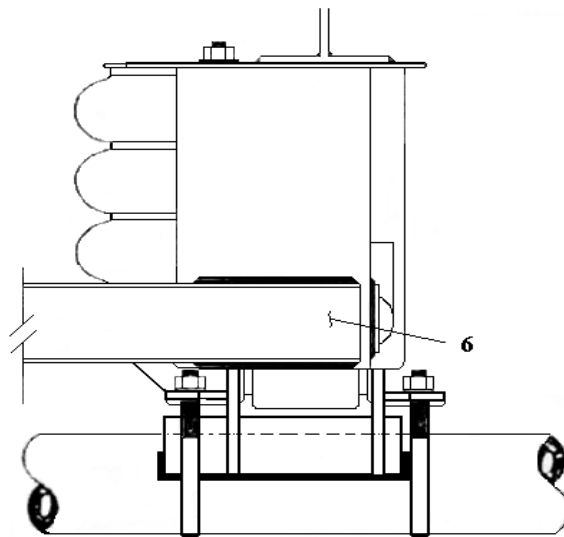
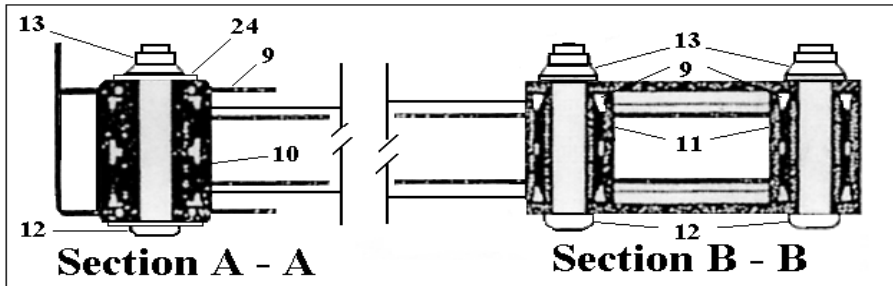
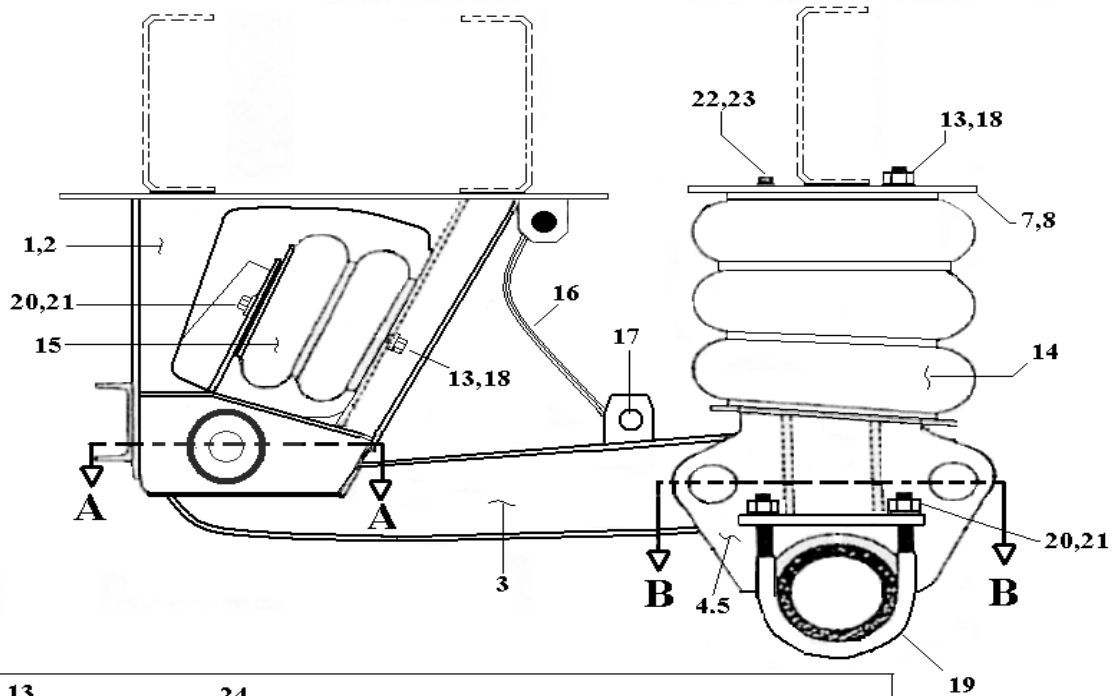
note: suspension does not include axles.

NO.	PART NUMBER	QTY	ITEM
1	11540	4	1-1/8 huck bolt
2	517-05504-23	4	1-1/8 huck collar
4	517-05506-23	4	5.25OD x 1.15ID x .25 thick washer
5	517-05012-23	4	axle seat bushing
6	11222	4	4.25OD x 1.15ID x .25 think washer
7	517-05505-23	4	alignment collar
8	11363	4	.75 cotter pin
9	517-05013-23	2	pivot arm bushing 5.25" long
10	517-05001-23	2	shock absorber
11	540-01000-12	16	3/4-16 UNC grade 5 hex nut
12	10035	4	.75 UNF x 3.5 grade 8 cap screww
13	10134	2	upper shock limiter strap bracket
14	517-05511-23	2	shock absorber limiter strap
15	517-05508-23	2	air spring plate
16	517-05510-23	2	shock absorber bracket clevis
18	10234	2	upper axle stop block
19	11746	2	rear suspension frame bracket
20	10794	2	lower shock absorber bracket
21	11364	2	cotter key
22	11527	2	front suspension frame bracket gusset
25	518-05002-23	2	air spring
26	540-02000-08	12	.50 lock washer
27	540-11000-08	12	.50-13 UNC grade 5 hex nut
28	11759	1	axle seat assembly (5" round Axle) road side
29	11760	1	axle seat assembly (5" round Axle) curb side
30	517-05502-23	4	3/4" axle u-bolt
31	540-02000-12	8	3/4" lock washer
32	10240	2	half round arm stop

Refer to PAGE 28 for suspension rebush kit numbers.



WCTL-9000



**WCTL-9000****Suspension Kits:**

note: suspension does not include axles.

NO.	PART NUMBER	QTY	ITEM
1	920047-1	1	hangar assy (road side)
2	920047-2	1	hangar assy (curb side)
3	12461	2	trailing beam arm assembly
4	12465	1	axle seat assembly (road side)
5	12466	1	axle seat assembly (curb side)
6	12617	1	crossmember 39" long
7	51004-1	1	upper bag plate (road side)
8	51004-2	1	upper bag plate (curb side)
9	517-05506-23	12	washer
10	517-05012-23	2	bushing
11	11223	4	bushing
12			
13			
14	518-05003-23	2	ride air spring
15	518-05006-23	2	lift air spring (new style) (6987)
	518-05001-23	2	lift air spring (old style) (6908)
16	517-05904-23	2	limiter strap
17	16003	1	strap pack
18	540-02000-12	4	3/4 lock washer
19	517-05502-23	4	u-bolt
20	540-11000-08	2	1/2-13 USS hex nut
21	540-02000-08	2	1/2 USS lock washer
22	10038	6	3/4-16 UNC x 1" cap screw
23	540-02000-12	6	3/4 lock washer
24	517-05100-23	4	alignment collar
25			
26			

Refer to PAGE 28 for suspension rebush kit numbers.



SUSPENSION REBUSH KITS

PART NUMBER	ITEM	SUSPENSION
515-15491-05	tandem axle connection	RHC
515-15492-05	tandem trunnion connection	RHC
515-15493-05	complete tandem rebush kit	RHC
515-15494-05	tandem torque arm rebush	RHC
515-15033-14	rubber bushings & u-bolts	NEWAY TS-5500
515-15136-14	rubber bushings & u-bolts	NEWAY TS-4400
515-15137-14	rubber bushings & u-bolts	NEWAY TS-5600
515-15319-18	tandem torque arm rebush kit	REYCO 21B
515-15506-18	tandem equalizer rebush kit	REYCO 21B
517-15145-14	pivot connection	AR90, 95, ART551
517-15149-14	axle connection (5" round)	AR-90 15 17SP
517-15064-14	axle connection (5" round)	AR-95 17
517-15128-14	axle connection (5" round)	ART-551 B1
517-05206-18	pivot connection rebush kit (1 trailing arm)	Meritor RFS-23T
517-05208-18	pivot connection rebush kit (1 trailing arm)	Meritor RFS-25T
517-05009-20	air spring bolt kit	multi suspension
517-05237-20	pivot bushing & washer kit	Hend. HLN
517-05679-20	pivot bolt kit (bolt/nut only) (quick align)	Hend. HT, AAT
517-05804-20	complete pivot bolt kit - (1 arm) (quick align)	Hend. HT, AAT
517-15821-20	complete pivot bush kit (1 arm) (quick align)	Hend. HT, AAT
517-15833-20	complete pivot bush kit (1 AXLE) (quick align) Note: 1kit -517-15833-20 = 2kits 517-15821-20	Hend. HT, AAT
517-15822-20	complete pivot bush kit (1 arm) (weld align)	Hend. T, HT
517-05810-20	intraax shock bolt kit	Hend. AAT
517-05010-23	axle connection rebush kit (1axle)	WCTA 5000
517-05011-23	pivot connection rebush kit (1 axle)	WCTA 5000
517-05017-23	axle connection rebush kit (1 axle)	WCTL 9000
517-05016-23	pivot connection rebush kit (1 axle)	WCTL 9000



AIR SPRINGS

HENDRICKSON

PART NUMBER	DESCRIPTION	SUSPENSION MODEL	MFG. PART NO.
518-05001-20	center lift	CL-101 lift	B-1080
518-05002-20	lift	lift	C1013
518-05003-20	lift	HL (up) - HLQ	B1159
518-05004-20	early model "T"	"T" series early model (4 stud)	B3648
518-05005-20	ride	T 15-17 / HT 300 (2 stud offset)	B4771
518-05008-20	down ride	HL (down)	B8874
518-05009-20	down ride	HT230-14 / 16	C20010
518-05010-20	center lift		B1345
518-05011-20	down ride	HT250-6.5 / HTHL	C20124
518-05012-20	lift	CL-011 lift kit	B6242
518-05013-20	ride	T-7-441	B12353
518-05014-20	lift	HT-HL "lift"	B21323
518-05015-20	center lift		S2734
518-05016-20	ride		C20223
518-05017-20	down ride	AAT23K intraax	C21800
518-05018-20	dwon ride	AAT25K intraax	S21784
518-05019-20	lift	HLN "lift"	B14486
518-05020-20	down ride	HLN "down"	C1015
518-05021-20	lift	HLM "lift"	B14318
518-05022-20	down ride	AAT30K intraax	S27341
518-05023-20	down ride	AAL30K intraax	C25872
518-05024-20	lift	UBL lift	C23114
517-05009-20	airspring bolt kit		

WATSON CHALIN

PART NUMBER	DESCRIPTION	SUSPENSION MODEL	MFG. PART NO.
518-05001-23	lift	WCTL-9000 (old style)	AS-0035
518-05002-23	ride	WCTA-5000	AS-0032
518-05003-23	ride	WCTL-9000 / WCAL1100	AS-0019
518-05004-23	ride	WCTL-1300	AS-0033
518-05005-23	lift	WCTL-1300	AS-0041
518-05006-23	lift	WCTL-9000 (new style)	AS-0058
518-05007-23	down ride	TL-9100	ASO-1681-G
518-05396-23	ride	TA-300-T	AS-0039G
518-05159-23	ride	INTEGRA	AS-0159-16

MERITOR

PART NUMBER	DESCRIPTION	SUSPENSION MODEL	MFG. PART NO.
518-05001-18	ride	RFS-23T 14/16	21227742 / 6262
518-05002-18	ride	RFS-25T 14/16	21227892 / 6258

NEWAY

PART NUMBER	DESCRIPTION	SUSPENSION MODEL	MFG. PART NO.
518-15076-14	ride	AR-95 & 125	90557076
518-15082-14	ride	ART-551	90557082
518-15086-14	ride	AR-90	90557086

REYCO

PART NUMBER	DESCRIPTION	SUSPENSION MODEL	MFG. PART NO.
518-05313-00	push down	21-B	8313 triangle



LEAF SPRINGS

PART NUMBER	ITEM	SUSPENSION
516-05726-00	3- leaf multiple	Hutch-9700
516-25999-08	7- leaf multiple (50,000lb)	Hutch H900-50
516-25101-08	9- leaf multiple (60,000lb)	Hutch H900-60
516-15154-14	14- leaf multiple	RTS-544-4 Neway
516-15272-14	5- leaf (40,000lb)	TS-4400 Neway
516-15273-14	5- leaf (50,000lb)	TS-5500 Neway
516-15277-14	7- leaf (60,000lb)	TS-5600 Neway
516-25092-04	9- leaf multiple	RHC
516-05297-18	single leaf (44" axle spacing)	21-B Reyco
516-05900-18	3-leaf multiple	Transpro - 88
516-25303-23	single leaf (49" axle spacing)	21-B Reyco
516-25564-18	3main - 8 leaf	21-B Reyco
516-25452-18	3main - 9 leaf	21-B Reyco
516-25733-20	multiple leaf spring	QAH Hendrickson
SPECIAL APPLICATION SPRINGS		
516-05001-00	draw bar support single leaf	triangle 1775-A3
516-25400-05	coiled a-frame lift spring (michigan train)	
516-05001-23	delrin pad with hole	
516-05002-23	delrin pad without hole	



SHOCK ABSORBERS

PART NUMBER	ITEM	SUSPENSION MODEL		MFG. NO.
517-05010-07	shock absorber	Granning		1085
517-05022-07	shock absorber	Granning		1086
517-05001-23	shock absorber	Watson & Chalin	WCTA 5000	12128
517-05511-23	shock strap	Watson & Chalin	WCTA 5000	11757
517-05904-23	shock strap	Watson & Chalin	WCTL 9000	11342
517-05006-20	shock absorber	Hendrickson	T15 -T17	A2218
517-05110-20	shock absorber	Hendrickson	HT230 - 14 / 16	S20002
517-05212-20	shock absorber	Hendrickson	HT250	
517-05306-20	shock absorber	Hendrickson	HT300	
517-05805-20	shock absorber	Hendrickson	AAT23K / 25K	S23566
517-05806-20	10.5" to 15" ride height	Hendrickson	AAL23K / 25K	S2212
517-05807-20	15.5" to 21" ride height	Hendrickson	AAL23K / 25K	S23015
517-05808-20	shock absorber	Hendrickson	AAT30K	S24023
517-05809-20	shock absorber	Hendrickson	AAL30K	S23316
517-05010-20	shock bolt kit (T / HT series)	Hendrickson		S20031-2
517-05810-20	shock bolt kit (intraax)	Hendrickson		S24021
517-05861-20	shock strap kit	Hendrickson	AAT25K- 5 / 17	S23086-1
517-05862-20	shock strap kit	Hendrickson	AAT30K - 17	S23086-2
	shock strap kit	Hendrickson	HT250T & U	S14587-3
517-05001-18	shock absorber	Meritor	RFS-23 / 25T	A7805L 1026
517-05916-14	shock absorber	Neway	AR-90-14 / 17	90044684
517-05009-14	shock absorber	Neway	AR-95-17	90044625
517-05511-14	shock absorber	Neway	ART551-B-1	90044162



East Manufacturing Corporation
1871 State Route 44 * P O Box 277
Randolph, Ohio 44265
Toll Free (800) 362-0851
Fax (330) 325-8235
www.eastmfg.com